

Effects of Surface Roughness on Friction Factors in Circular Galvanized Steel (GS) and Acrylonitrile Butadiene Styrene (ABS) Tubes

Pajvenpural Muthusamy¹, Abdulhafid M A Elfaghi^{1,2,*}, Abdoulhdi A. Borhana Omran^{3,4}, Mostafa Abobaker⁵

¹ Faculty of Mechanical and Manufacturing Engineering, Universiti Tun Hussein Onn Malaysia, Batu Pahat, 86400 Johor, Malaysia

² Libyan Centre for Engineering Research and Information Technology, Bani Waleed 411, Libya

³ Department of Mechanical and Mechatronic Engineering, Faculty of Engineering, Sohar University, Sohar, P C-311, Oman

⁴ Department of Mechanical Engineering, College of Engineering Science & Technology, Sebha University, Sabha 00218, Libya

⁵ School of Applied Sciences and Engineering, Libyan Academy for postgraduate studies, Libya

ARTICLE INFO

Article history:

Received 13 May 2024

Received in revised form 17 November 2024

Accepted 14 December 2024

Available online 31 December 2024

Keywords:

Turbulent flow; friction factor; surface roughness; Reynolds number

ABSTRACT

The study of friction losses in pipes used in engineering and industry is important to improve flow efficiency and reduce the energy required to transport fluids. The surface roughness of a pipe affects its friction coefficient and its efficiency and performance. This numerical study explores numerically the impact of surface roughness on friction factors in circular tubes made of three distinct materials. The research employs computational fluid dynamics (CFD) ANSYS Fluent software to simulate turbulent flows, incorporating various surface roughness models in Galvanized steel (GS) and Acrylonitrile Butadiene Styrene (ABS) circular tubes. The simulation setup encompasses tube geometry, fluid properties, and boundary conditions. The simulation setup involves the pipe shape, fluid characteristics, and boundary conditions. The results indicate a precise link between surface roughness and friction factors, providing insights into pressure drop and flow characteristics. Validation against experimental data and known correlations enhances the dependability of the results. The findings help to optimise fluid transport systems and open the way for future study in this important technical subject. The friction factor decreases consistently with the increasing Reynolds number, and it is lower than the theoretical value. Galvanized steel (GS), with an absolute roughness of 0.15 mm, exhibits an 8% higher friction factor compared to Acrylonitrile Butadiene Styrene (ABS). This validation of the experimental data and known correlations enhances the reliability of the results.

1. Introduction

Pipeline systems are encountered in a lot of applications including oil and gas, thermal plants, air conditioning systems, and others [1,2]. Several researches on how surface roughness affects fluid flow inside pipes have been ongoing for a long time, aiming to understand the exact effect of

* Corresponding author.

E-mail address: abdulhafid@uthm.edu.my

<https://doi.org/10.37934/ard.123.1.243247>

roughness on flow at different Reynolds number ranges. However, discussions are still ongoing regarding possible deviations from conventional theories of laminar flow and the possibility of an early transition from laminar to turbulent flow. Galvanized steel (GS) and Acrylonitrile Butadiene Styrene (ABS) are commonly used materials in various industrial applications, each with unique physical and mechanical properties.

Darcy [3] and Fanning [4] laid the groundwork for understanding the effects of surface roughness in the nineteenth century [5,6]. However, Nikuradse [7] conducted systematic research to investigate the correlation between surface roughness and pressure drop. The Moody chart [8] is a widely utilized tool for determining friction factors over a wide range of Reynolds numbers in rough tubes. This chart, primarily derived from the extensive experimental investigations of Nikuradse [7], essentially plots the Colebrook equation [9] across a wide range of Reynolds numbers and relative surface roughness [10]. According to the Moody chart, laminar friction factors remain unaffected by surface roughness, while turbulent flow experiences an increase in friction factors with rising surface roughness. Kandlikar *et al.*, [10] created an adapted Moody chart, incorporating the constricted diameter for relative surface roughness, Reynolds number, and the Colebrook equation [11-13]. Everts *et al.*, [14] conducted experiments using circular tubes with varying surface roughness. Water was used as a working fluid for different ranges of Reynolds numbers. The measurements included the friction factors, Nusselt number, and the heat transfer coefficient. It was found that the increase in surface roughness generally increased the friction factors. Experimental study was conducted by Scaggs *et al.*, [15] to investigate the effects of surface roughness on turbulent pipe flow friction factors over wide range of Reynolds numbers and for different pipe rough surfaces. The research found that the experimental results were in very good agreement with predictions from a previously published discrete element roughness model [16].

Despite extensive research on friction factors in various pipe materials, limited studies have specifically addressed the comparative effects of surface roughness on friction factors in galvanized steel (GS) and acrylonitrile butadiene styrene (ABS) tubes. The main objective of this study is to investigate the effects of surface roughness on turbulent flow friction factors in circular tubes and to investigate how the Reynolds number influences the interaction between surface roughness and turbulent flow using ANSYS FLUENT software.

2. Methodology

2.1 Governing Equations

In the numerical setup, the simulation framework for investigating fluid flow within a straight pipe is established. This involves several key steps: firstly, parameters such as pipe diameter, length, and other relevant dimensions are defined within ANSYS DesignModeler based on Table 1 specifications. Surface roughness is represented within the model to mimic real-world conditions.

Table 1

Pipe specifications

Parameter	Galvanized steel	ABS pipe
Absolute roughness (m)	1.5×10^{-6}	7.0×10^{-6}
Relative roughness	1.5×10^{-3}	4.667×10^{-5}
L (m)	15	15
D (m)	0.15	0.15

Mesh generation follows employing appropriate refinement near the walls to capture boundary layer effects and roughness features accurately (Figure 1). Fluid properties such as density and

viscosity are defined, and boundary conditions are set to simulate realistic flow conditions within the pipe, including inlet velocity and pressure outlet conditions. Turbulence models are selected to capture turbulent flow phenomena, and solver settings are configured to ensure robust convergence and accurate solution of the Navier-Stokes equations.

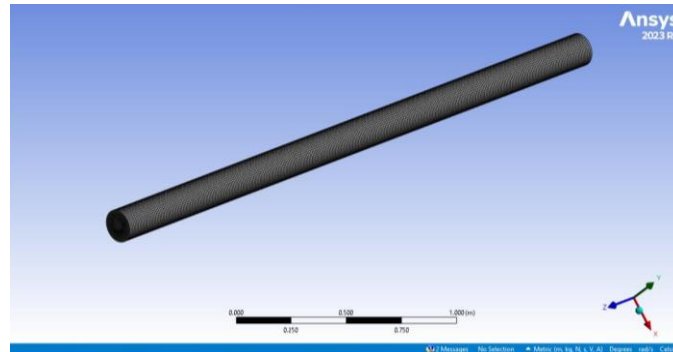


Fig. 1. Pipe meshing from Ansys

The general governing equations are as follows [17-20]:

Continuity equation:

$$\nabla \cdot (\rho_{nf} V) = 0 \tag{1}$$

Momentum equation:

$$\nabla \cdot (\rho_{nf} VV) = -\nabla P + \nabla \cdot \tau \tag{2}$$

Energy equation:

$$\nabla \cdot (\rho_{nf} V C_{p,nf}) = -\nabla \cdot (k_{nf} \nabla T - C_{p,nf} \rho_{nf} \bar{v}t) \tag{3}$$

3. Results

Tables 2 and 3 below show the pressure inlet and outlet of the pipes and the friction factor calculated for Galvanized steel (GS) and Acrylonitrile Butadiene Styrene (ABS) pipes. Figure 2 shows friction factors for different Reynolds numbers (representing varying flow velocities) for both GS and ABS tubes. The figure demonstrates how friction factors change with increasing Reynolds number for both materials. It's evident that ABD tubes generally exhibit higher friction factors compared to GS tubes across all Reynolds numbers, highlighting the influence of surface roughness on flow resistance. Additionally, the figure illustrates the decreasing trend of friction factors with higher Reynolds numbers.

Table 2
 Friction factor for galvanised steel pipe

Reynolds number	P inlet	P outlet	Pressure difference	Friction factor (<i>f</i>)
7000	4.8558863	1.210051	3.6458353	0.033348633
10000	9.1653086	2.4601361	6.7051725	0.030052944
12000	12.712115	3.5359071	9.1762079	0.02856129
15000	19.011227	5.512134	13.499093	0.026890516

Table 3
 Friction factor for Acrylonitrile Butadiene Styrene (ABS) pipe

Reynolds number	P inlet	P outlet	Pressure difference	Friction factor (f)
7000	4.8655869	1.2112236	3.6543633	0.033426639
10000	9.1819404	2.4621201	6.7198203	0.030118596
12000	12.734773	3.5386894	9.1960836	0.028623154
15000	19.044709	5.5164234	13.5282856	0.026948669

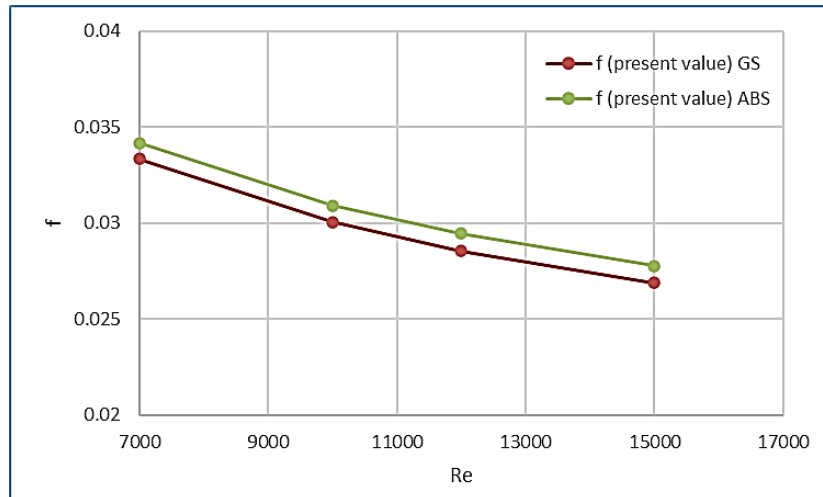


Fig. 2. Friction factor against Reynolds number

5. Conclusions

This study demonstrates the considerable influence of surface roughness on friction factors in galvanised steel (GS) and acrylonitrile butadiene styrene (ABS) tubes. The results show the relationship between surface roughness and friction factors for different Reynolds number, indicating decrease of friction factors with the increase of Reynolds number in both GS and ABS tubes. GS tube has lower friction coefficients than ABS. The findings indicate that as surface roughness increases, friction factors generally rise, indicating greater flow resistance and higher energy losses within the tubes. Additionally, the results emphasize the need for accurate modeling and characterization of surface roughness in engineering analyses to ensure reliable predictions of flow behavior and frictional losses.

Acknowledgement

This research was supported by Universiti Tun Hussein Onn Malaysia (UTHM).

Reference

- [1] Pillai, Ragu Chanthira, Ahmad Mubarak Tajul Arifin, Nor Adrian Nor Salim, Mohd Nasrull Rahman, Ishkrizat Osman Taib, Shahrul Azmir Osman, and Shaktivell M. Letchumanan. "A Review on Evaluating the Optimization of Fibre Reinforced Polymer for Compound/Repair Clamp on Leaked Piping System using Computational Simulation." *Journal of Advanced Research in Applied Mechanics* 118, no. 1 (2024): 67-78. <https://doi.org/10.37934/aram.118.1.6778>
- [2] Abd Dzubir, Faizul Azly, Abdul Rahim Othman, and Muhammad Firdaus Othman. "Stress Classification Lines for Non-Standard Y-Tee Design in Piping System." *Journal of Advanced Research in Applied Sciences and Engineering Technology* 33, no. 1 (2023): 367-383. <https://doi.org/10.37934/araset.33.1.367383>
- [3] Darcy, N. "Recherches experimentales relatives au mouvement de l'eau dans des tuyaux." *Mem. savants etrangers Acad. Sci. Inst. Fr.* 15 (1858): 141.
- [4] Fanning, John Thomas. *A practical treatise on hydraulic and water-supply engineering*. Рипол Классик, 1899.

- [5] Everts, Marilize, Pascal Robbertse, and Blayne Spitholt. "The effects of surface roughness on fully developed laminar and transitional flow friction factors and heat transfer coefficients in horizontal circular tubes." *International Journal of Heat and Mass Transfer* 189 (2022): 122724. <https://doi.org/10.1016/j.ijheatmasstransfer.2022.122724>
- [6] Guo, Ming, Chuanzhi Xue, Sungyoun Na, Xun Sun, and Joon Yong Yoon. "Influence of randomly distributed wall roughness on the flow behaviors of liquid-liquid slug flow in a co-flowing microchannel." *International Journal of Heat and Mass Transfer* 222 (2024): 125186. <https://doi.org/10.1016/j.ijheatmasstransfer.2024.125186>
- [7] Nikuradse, J. "Laws of flow in rough pipes." (1950). Washington: National Advisory Committee for Aeronautics
- [8] Colebrook, Cyril Frank, T. Blench, H. Chatley, E. H. Essex, J. R. Finnicome, G. Lacey, J. Williamson, and G. G. Macdonald. "Correspondence. turbulent flow in pipes, with particular reference to the transition region between the smooth and rough pipe laws. (includes plates)." *Journal of the Institution of Civil engineers* 12, no. 8 (1939): 393-422. <https://doi.org/10.1680/ijoti.1939.14509>
- [9] Moody, Lewis F. "Friction factors for pipe flow." *Transactions of the American Society of Mechanical Engineers* 66, no. 8 (1944): 671-678. <https://doi.org/10.1115/1.4018140>
- [10] Huang, K., J. W. Wan, C. X. Chen, D. F. Mao, and Y. Q. Li. "Experiments investigation of the effects of surface roughness on laminar flow in macro tubes." *Experimental thermal and fluid science* 45 (2013): 243-248. <https://doi.org/10.1016/j.expthermflusci.2012.10.022>
- [11] Kandlikar, Satish G., Derek Schmitt, Andres L. Carrano, and James B. Taylor. "Characterization of surface roughness effects on pressure drop in single-phase flow in minichannels." *Physics of Fluids* 17, no. 10 (2005): 100606. <https://doi.org/10.1063/1.1896985>
- [12] Donetti, Luca, Stefano Mauro, Gaetano Sequenzia, Michele Calabretta, and Alessandro Sitta. "Effects of the pin-fins cooler roughness on the thermo-fluid dynamics performance of a SiC power module." *International Journal of Thermofluids* (2024): 100609. <https://doi.org/10.1016/j.ijft.2024.100609>
- [13] Kadivar, Mohammadreza, David Tormey, and Gerard McGranaghan. "A review on turbulent flow over rough surfaces: Fundamentals and theories." *International Journal of Thermofluids* 10 (2021): 100077. <https://doi.org/10.1016/j.ijft.2021.100077>
- [14] Everts, Marilize, Pascal Robbertse, and Blayne Spitholt. "The effects of surface roughness on fully developed laminar and transitional flow friction factors and heat transfer coefficients in horizontal circular tubes." *International Journal of Heat and Mass Transfer* 189 (2022): 122724. <https://doi.org/10.1016/j.ijheatmasstransfer.2022.122724>
- [15] Scaggs, W. F., Robert P. Taylor, and Hugh W. Coleman. "Measurement and prediction of rough wall effects on friction factor—Uniform roughness results." (1988): 385-391. <https://doi.org/10.1115/1.3243568>
- [16] Scaggs, Wade F. "Measurement and prediction of rough wall effects on friction factors in turbulent pipe flow." PhD diss., Mississippi State University. Department of Mechanical and Nuclear Engineering, 1987.
- [17] Elfaghi, A. M., W. Asrar, and A. A. Omar. "A high order compact-flowfield dependent variation (Hoc-FDV) method for inviscid flows." *International Journal for Computational Methods in Engineering Science and Mechanics* 11, no. 5 (2010): 258–63. <https://doi.org/10.1080/15502287.2010.501322>
- [18] Elfaghi, Abdulhafid M., Waqar Asrar, and Ashraf A. Omar. "Higher order compact-flowfield dependent variation (Hoc-FDV) solution of one-dimensional problems." *Engineering Applications of Computational Fluid Mechanics* 4, no. 3 (2010): 434–40. <https://doi.org/10.1080/19942060.2010.11015330>
- [19] Elfaghi, Abdulhafid, Ashraf Ali Omar, and Waqar Asrar. "Higher-order compact-flow field-dependent variation (Hoc-FDV) method for solving two-dimensional Navier-Stokes Equations." *International Journal for Computational Methods in Engineering Science and Mechanics* 16, no. 4 (2015): 256–63. <https://doi.org/10.1080/15502287.2015.1048386>
- [20] Elhadi Kh. Abugnah, Wan Saiful-Islam Wan Salim, Abdulhafid M. Elfaghi, and Zamani Ngali. "Comparison of 2D and 3D modelling applied to single phase flow of nanofluid through corrugated channels." *CFD Letters* 14, no. 1 (2022): 128–39. <https://doi.org/10.37934/cfdl.14.1.128139>